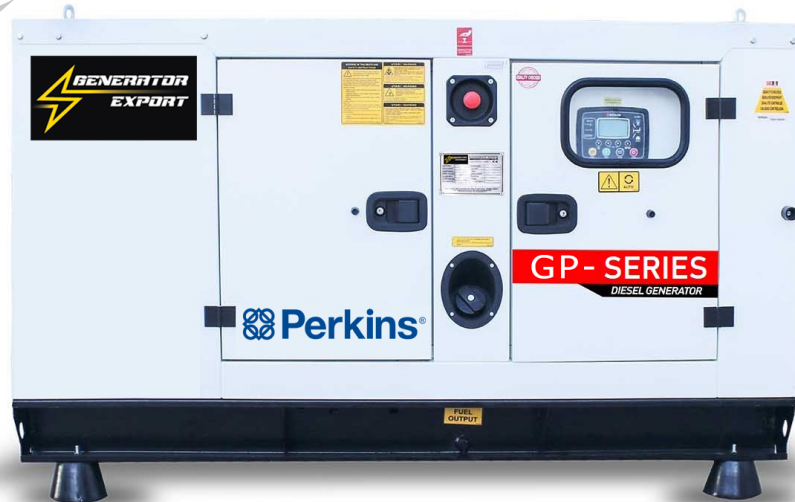




# GP50

INDUSTRIAL RANGE

## Perkins



## GENERATING SETS

WATER COOLED THREE PHASES 50 HZ DIESEL

Service		Standby	Prime
Power	kVA	49,6	45
Power	kW	39,7	36
Rated Speed	r.p.m	1500	
Standart Voltage	V	400/230	
Rated At Power Factor	Cos Phi	0,8	

Company with quality certification ISO 9001  
gensets are compliant with EC mark which includes the following directives:

- 2006/42/EC Machinery safety.
- 2014/30/EU Electromagnetic compatibility.
- 2014/35/EU electrical equipment designed for use within certain voltage limits
- 2000/14/EC Sound Power level. Noise emissions outdoor equipment. (amended by 2005/88/EC)
- 97/68/EC Emissions of gaseous and particulate pollutants. (amended by 2002/88/EC & 2004/26/EC)
- EN 12100, EN 13857, EN 60204

Ambient conditions of reference according to ISO 8528-1:2005 normative: 1000 mbar, 25°C, 30% relative humidity.  
G2 class load acceptance in accordance with ISO 8528-5:2013





# GP50

INDUSTRIAL RANGE



## SPECIFICATIONS



### Engine



### Alternator

Engine	Specifications	
Standby Power/Prime Power	<i>kWm</i>	46,5 / 42,2
Manufacturer		Perkins
Model		1103A-33TG1
Engine Type		4 Stroke - Diesel
Injection Type		Direct Injection
Aspiration Type		Turbo Charged
Number of cylinder		3
Bore and Stroke	<i>mm</i>	105X127
Displacement	<i>L</i>	3,3
Cooling System		Water Cooling
Heating Power	<i>Watt</i>	1000W
Fuel Consumption 50% PRP	<i>l/h</i>	4,06
Fuel Consumption 75% PRP	<i>l/h</i>	5,61
Fuel Consumption 100 % PRP	<i>l/h</i>	7,2
Fuel Consumption Standby	<i>l/h</i>	8,1
Oil fuel consumption ratio	<i>%fuel</i>	≤0.15%
Total oil capacity including tubes, filters	<i>L</i>	8,3
Total coolant capacity	<i>L</i>	10,2
Governor	<i>Type</i>	Mechanical and Electronic
Electric system voltage(V)	<i>V</i>	12

Alternator	Specifications	
Manufacturer		Leroy Somer
Model		TAL-A42-F
Output Voltage	<i>V</i>	230/400
Frequency	<i>HZ</i>	50
Automatic Voltage Regulation	<i>±%</i>	1
Alternator Standby Power	<i>kVA</i>	50
Alternator Continuous Power	<i>kVA</i>	45
Power Factor	<i>Cosφ</i>	0,8
Number of Wires		12
Winding		2/3
Protection Class		IP23 / H
Excitation System		Self Excited
AVR Model		R120
Performance - PF 0,8 / %75 Load	<i>%</i>	89,3

#### Prime Power (PRP):

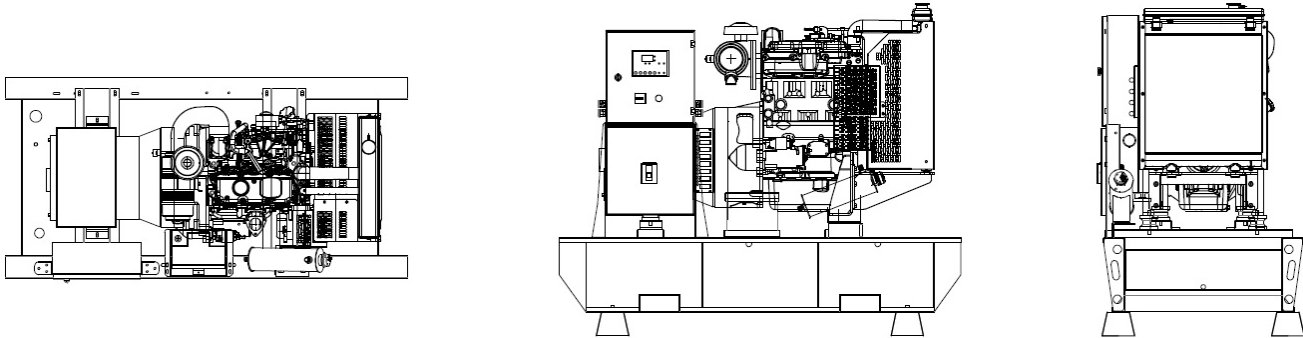
According to ISO 8528-1:2005, Prime power is the maximum power which a generating set is capable of delivering continuously whilst supplying a variable electrical load when operated for an unlimited number of hours per year under the agreed operating conditions with the maintenance intervals and procedures being carried out as prescribed by the manufacturer. The permissible average power output (P<sub>pp</sub>) over 24 h of operation shall not exceed 70 % of the PRP.

#### Emergency Standby Power (ESP):

According to ISO 8528-1:2005, Emergency standby power is the maximum power available during a variable electrical power sequence, under the stated operating conditions, for which a generating set is capable of delivering in the event of a utility power outage or under test conditions for up to 200 h of operation per year with the maintenance intervals and procedures being carried out as prescribed by the manufacturers. The permissible average power output over 24 h of operation shall not exceed 70 % of the ESP.

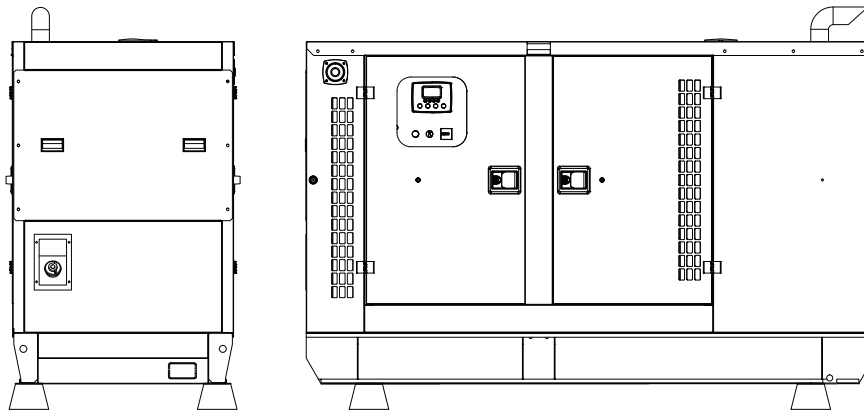
**Note:** All data based on operation to ISO 3046/1, BS 5514 and DIN 6271 standard reference conditions

## DIMENSIONS



### OPEN SET

LxWxH	mm	1800x900x1500
Weight	kg	850
Fuel Tank	lt	200



### CANOPIED

LxWxH	mm	2225x950x1640
Weight	kg	1160
Fuel Tank	lt	140

#### Sound Proof Canopy

- Special design for minimizing acoustic level.
- Galvanized steel construction further protected by polyester powder coat paint.
- Black finish stainless steel locks and hinges.
- Control panel viewing window in a lockable access door.
- Emergency stop push button (red) mounted on enclosure exterior.
- Lifting, drag and jacking points on base frame.
- Radiator fill via removable, flush mounted rain cap fitted with compression seal.
- Acoustic insulation with moisture-repellent and non-flammable material



GP50

INDUSTRIAL RANGE



## CONTROL UNIT



- DeepSea 7320
- ComAp AMF9 / AMF25

