



GENERATING SETS

WATER COOLED
 THREE PHASES
 50 HZ
 DIESEL

Service		Standby	Prime
Power	kVA	220	200
Power	kW	176	160
Rated Speed	r.p.m	1500	
Standart Voltage	V	400/230	
Rated At Power Factor	Cos Phi	0,8	

GUCBIR Company with quality certification ISO 9001

GUCBIR gensets are compliant with EC mark which includes the following directives:

- 2006/42/EC Machinery safety.
- 2014/30/EU Electromagnetic compatibility.
- 2014/35/EU Electrical equipment designed for use within certain voltage limits
- 2000/14/EC Sound Power level. Noise emissions outdoor equipment. (amended by 2005/88/EC)
- 97/68/EC Emissions of gaseous and particulate pollutants. (amended by 2002/88/EC & 2004/26/EC)
- EN 12100, EN 13857, EN 60204

Ambient conditions of reference according to ISO 8528-1:2005 normative: 1000 mbar, 25°C, 30% relative humidity.

G2 class load acceptance in accordance with ISO 8528-5:2013



SPECIFICATIONS



Engine



Alternator

Engine		Prime
Standby Power/Prime Power	kWm	195 / 177
Manufacturer		IVECO
Model		NEF67TM7
Engine Type		4 Stroke - Diesel
Injection Type		Direct Injection
Aspiration Type		Turbocharged, Aftercooled
Number of cylinder		6
Bore and Stroke	mm	104x132
Displacement	L	6,7
Cooling System		Water Cooling
Fuel Consumption 50% PRP	l/h	15
Fuel Consumption 80% PRP	l/h	34
Fuel Consumption 100 % PRP	l/h	42
Fuel Consumption Standby	l/h	47,5
Total oil capacity including tubes, filters	L	17,2
Engine coolant capacity	L	15
Governor	Type	Mechanical
Electric system voltage(V)	V	12

Alternator		Specifications
Brand		Maranello
Model		M220
Output Voltage	V	230/400
Frequency	HZ	50
Automatic Voltage Regulation	±%	0,5
Alternator Stand By Power	kVA	220
Alternator Continuous Power	kVA	200
Power Factor	Cosφ	0,8
Number of Wires		12
Winding		2/3
Protection Class		IP23 / H
Excitation System		Self-excited
AVR Model		SX460
Performance - PF 0,8 / %75 Load	%	93,6

5'HyfbUjY 5'HyfbUrcf 6fUbXg



Prime Power (PRP):

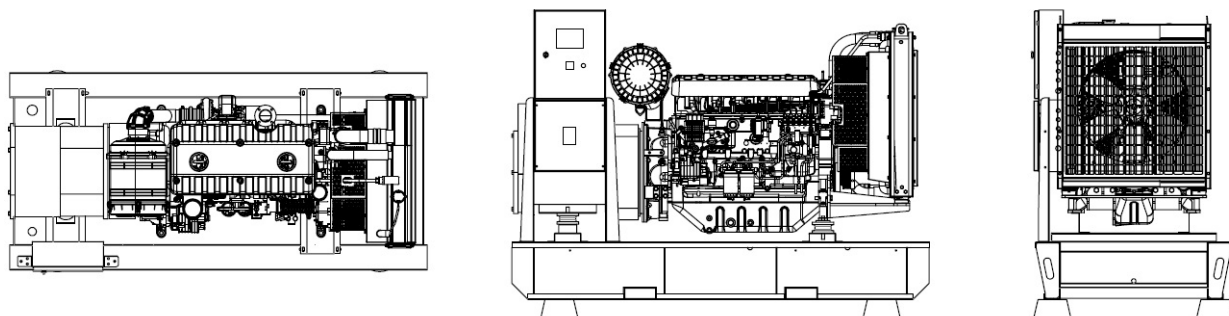
According to ISO 8528-1:2005, Prime power is the maximum power which a generating set is capable of delivering continuously whilst supplying a variable electrical load when operated for an unlimited number of hours per year under the agreed operating conditions with the maintenance intervals and procedures being carried out as prescribed by the manufacturer. The permissible average power output (Ppp) over 24 h of operation shall not exceed 70 % of the PRP.

Emergency Standby Power (ESP):

According to ISO 8528-1:2005, Emergency standby power is the maximum power available during a variable electrical power sequence, under the stated operating conditions, for which a generating set is capable of delivering in the event of a utility power outage or under test conditions for up to 200 h of operation per year with the maintenance intervals and procedures being carried out as prescribed by the manufacturers. The permissible average power output over 24 h of operation shall not exceed 70 % of the ESP.

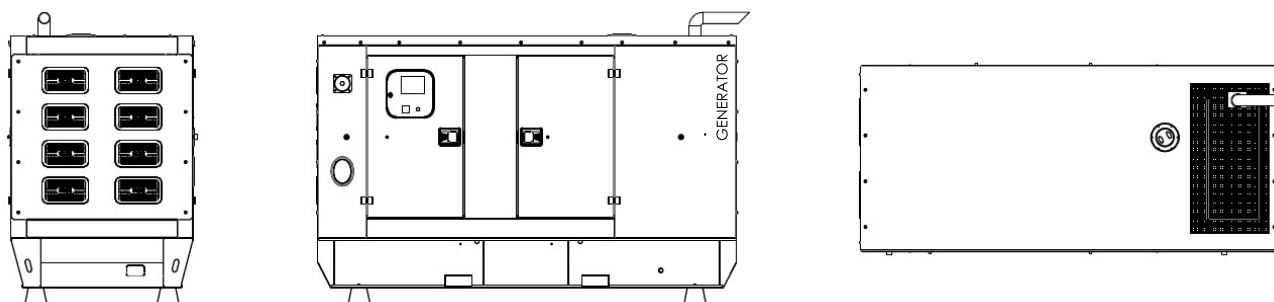
Note: All data based on operation to ISO 3046/1, BS 5514 and DIN 6271 standard reference conditions

DIMENSIONS



OPEN SET

LxWxH	mm	2600x1100x1900
Weight	kg	
Fuel Tank	lt	370



CANOPIED

LxWxH	mm	3500x1100x2200
Weight	kg	
Fuel Tank	lt	370

Sound Proof Canopy

- Special design for minimizing acoustic level.
- Galvanized steel construction further protected by polyester powder coat paint.
- Black finish stainless steel locks and hinges.
- Control panel viewing window in a lockable access door.
- Emergency stop push button (red) mounted on enclosure exterior.
- Lifting, drag and jacking points on base frame.
- Radiator fill via removable, flush mounted rain cap fitted with compression seal.
- Acoustic insulation with moisture-repellent and non-flammable material

CONTROL UNIT



- DeepSea 7320
- ComAp AMF9 / AMF25

